

■ Features :

- Protections: Short circuit/Over load /Over voltage/ Polarity
- Cooling by free air convection
- 100% full load burn-in test
- Low cost
- High reliability
- 2 year warranty



■ GTIN CODE

MW Search: <https://www.meanwell.com/serviceGTIN.aspx>

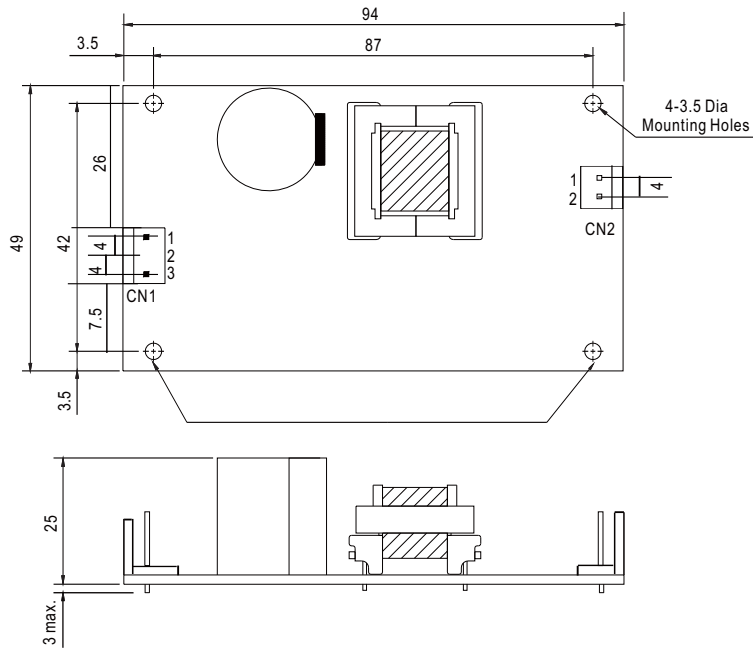


SPECIFICATION

MODEL		PSD-15A-05	PSD-15B-05	PSD-15C-05	PSD-15A-12	PSD-15B-12	PSD-15C-12	PSD-15A-24	PSD-15B-24	PSD-15C-24
OUTPUT	DC VOLTAGE	5V			12V			24V		
	RATED CURRENT	3A			1.25A			0.6A		
	CURRENT RANGE	0 ~ 3A			0 ~ 1.25A			0 ~ 0.6A		
	RATED POWER	15W			15W			14.4W		
	RIPPLE & NOISE (max.) Note.2	50mVp-p			100mVp-p			100mVp-p		
	VOLTAGE TOLERANCE Note.3	±2.0%			±2.0%			±2.0%		
	LINE REGULATION	±1.0%			±1.0%			±0.5%		
	LOAD REGULATION	±1.0%			±1.0%			±0.5%		
SETUP, RISE, HOLD UP TIME		2.5s, 25ms, ----/12VDC/24VDC/48VDC at full load								
INPUT	VOLTAGE RANGE	A: 9.2 ~18VDC (12VDC) B:18 ~ 36VDC (24VDC) C:36~72VDC(48VDC)								
	EFFICIENCY(Typ.)	74%	78%	78%	67%	78%	78%	72%	78%	79%
	DC CURRENT(Typ.)	1.9A/12VDC 0.9A/24VDC 0.45A/48VDC								
PROTECTION	OVER LOAD	105% ~150% rated output power Protection type : hiccup mode ,recovery automatically after fault condition is removed								
	OVER VOLTAGE	5.75 ~ 6.75V			13.8~ 16.2V			27.6 ~ 32.4V		
		Protection type : Shut off o/p voltage, clamping by zener diode								
ENVIRONMENT	WORKING TEMP.	-10 ~ +60°C (Refer to "Derating Curve")								
	WORKING HUMIDITY	20 ~ 95% RH non-condensing								
	STORAGE TEMP., HUMIDITY	-20 ~ +85°C, 10 ~ 95% RH								
	TEMP. COEFFICIENT	±0.05%/°C (0 ~ 50°C)								
	VIBRATION	10 ~ 500Hz, 2G 10min./1cycle, Period for 60min.each along X, Y, Z axes								
SAFETY & EMC (Note 4)	SAFETY STANDARDS	EAC TP TC 004 approved								
	WITHSTAND VOLTAGE	I/P-O/P:2.0KVAC								
	ISOLATION RESISTANCE	I/P-O/P:100M Ohms/500VDC / 25°C/ 70% RH								
	EMI CONDUCTION&RADIATION	Compliance to BS EN/EN55032(CISPR32) CLASS B, EAC TP TC 020								
		EMS IMMUNITY Compliance to BS EN/EN61000-4-2,3,4,6,8,BS EN/EN55035, BS EN/EN61000-6-1,light industry level,EAC TP TC 020								
OTHERS	MTBF	7598.3K hrs min. Telcordia SR-332 (Bellcore) ; 740.4K hrs min. MIL-HDBK-217F (25°C)								
	DIMENSION	94*49*25mm (L*W*H)								
	PACKING	81g;120pcs/10.72Kg/0.9CUFT								
NOTE	<p>1.All parameters NOT specially mentioned are measured at normal input,rated load and 25°C of ambient temperature.</p> <p>2.Ripple &amp; noise are measured at 20 MHz of bandwidth by using a 12inch twisted pair-wire terminated with a 0.1 μ F &amp; 47 μ F capacitor.</p> <p>3.Tolerance:includes set up tolerance,line regulation and load regulation.</p> <p>4.The power supply is considered a component which will be installed into a final equipment. All the EMC tests are been executed by mounting the unit on a 230mm*230mm metal plate with 1mm of thickness. The final equipment must be re-confirmed that it still meets EMC directives. For guidance on how to perform these EMC tests, please refer to "EMI testing of component power supplies." (as available on <a href="https://www.meanwell.com/Upload/PDF/EMI_statement_en.pdf">https://www.meanwell.com/Upload/PDF/EMI_statement_en.pdf</a>)</p> <p>5.The ambient temperature derating of 3.5°C/1000m with fanless models and of 5°C/1000m with fan models for operating altitude higher than 2000m(6500ft).</p> <p>※ Product Liability Disclaimer : For detailed information, please refer to <a href="https://www.meanwell.com/serviceDisclaimer.aspx">https://www.meanwell.com/serviceDisclaimer.aspx</a></p>									

**Mechanical Specification**

(Unit: mm, tolerance ± 1mm)



DC Input Connector (CN1) : JST B3P-VH or equivalent

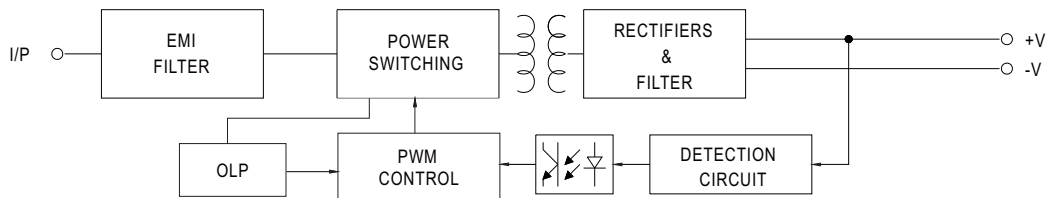
Pin No.	Assignment	Mating Housing	Terminal
1	-V	JST VHR or equivalent	JST SVH-21T-P1.1 or equivalent
2	No Pin		
3	+V		

DC Output Connector (CN2) : JST B2P-VH or equivalent

Pin No.	Assignment	Mating Housing	Terminal
1	-V	JST VHR or equivalent	JST SVH-21T-P1.1 or equivalent
2	+V		

**Block Diagram**

fosc : 100KHz



**Output Derating**

